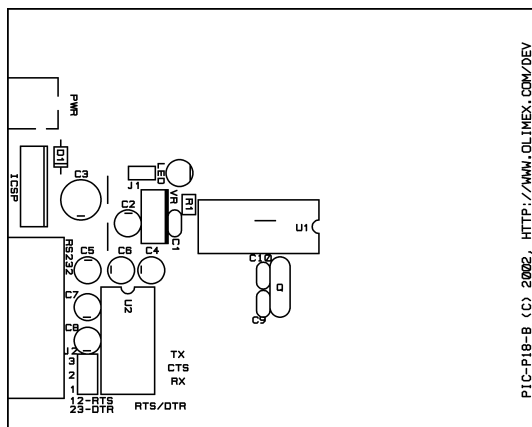


PIC-P18B PROTOTYPE BOARD FOR 18 PIN PIC MICROCONTROLLERS

Features:

PIC-P18B is prototype board for 18 pin PIC microcontrollers with following features:

- RS232 Tx, Rx interface with MAX232 IC
- ICD/ICSP 6 pin connector
- Status LED connected to RB3 via removable jumper
- 4MHz, or 20MHz quartz oscillator
- extension slot on each microcontroller pin
- DIL18 microcontroller socket
- power supply plug in connector
- +5V power supply voltage regulator
- 0.1" (2.54 mm) grid
- dimensions: 100x80 mm
- four mounting holes



Programming:

To program PIC-P18B you need serial port or parallel port PIC programmers with ICSP connector (PIC-PG1, PIC-PG3B) or PIC-ICD1-B.

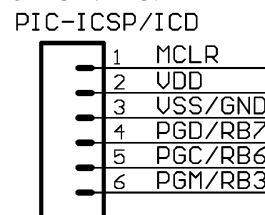
The serial port ICSP programmer (PIC-PG1) works with IC PROG ICPROG software, written by Bonny Gijzen. The latest release of ICPROG may be download for free from <http://www.icprog.com>

The parallel port ICSP programmer (PIC-PG3B) works with Bojan Dobaj's shareware software

from <http://www.picallw.com> or Nigel Goodwin's free software from www.lpilsley.uklinux.net

ICD/ICSP connector layout:

The ICD/ICSP connector is 6 pin with 0,1" step. The PIN.1 is marked with square pad on bottom and arrow on top. ICSP signals are: 1- MCLR, 2- VDD, 3- VSS/GND, 4- PGD/RB7, 5- PGC/RB6, 6- PGM/RB3.



RS232 interface:

J2 removable jumper selects where RTS/DTR line to be connected. In position 12 the line is connected to RTS, in position 23 is connected to DTR.

Status LED:

Connected to RB3 via removable jumper J2. The jumper should be left open while programming.

Oscillator circuit:

Crystal resonator connected to OSC1 and OSC2.

Supported devices:

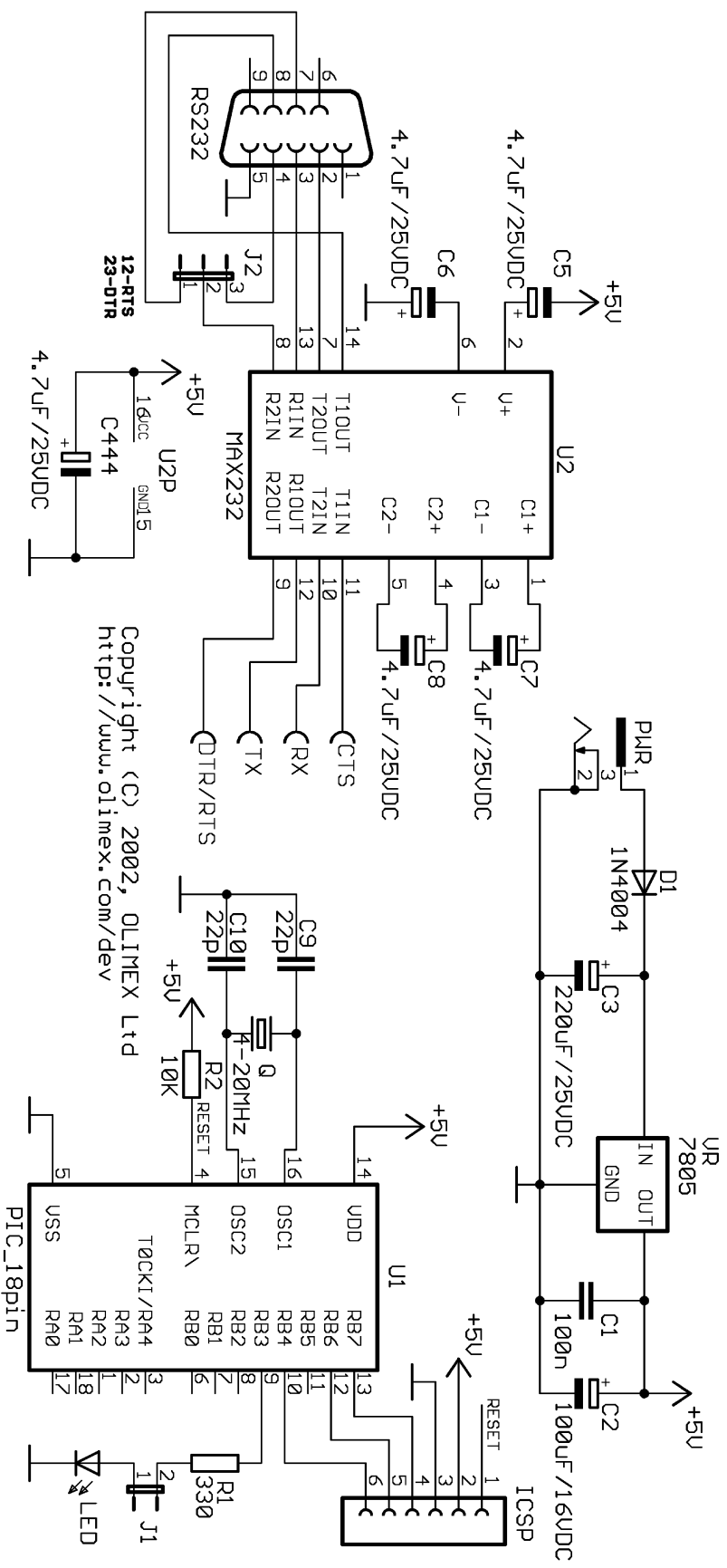
All 18 pin PIC microcontrollers.

Power supply:

The power supply should be in range +7.5 +18VDC.

Ordering codes:

- | | |
|----------------|------------------------|
| PIC-P18B-4MHz | - assembled and tested |
| PIC-P18B-20MHz | - assembled and tested |
| PIC-P18B/PCB | - only PCB |



Copyright (C) 2002, OLIMEX Ltd
<http://www.olimex.com/dev>